

## G1310GL Million Lock Glass Door Cam Lock

### Features

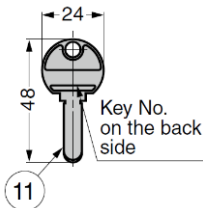
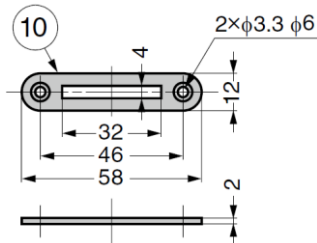
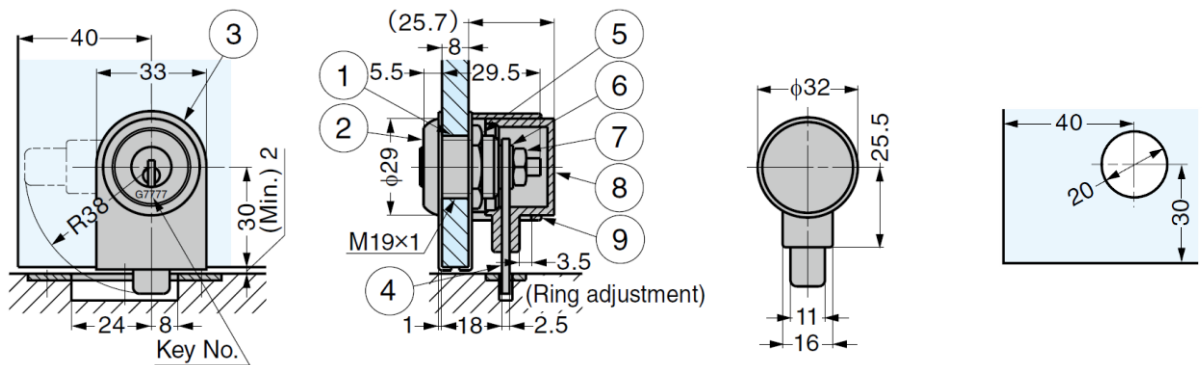
- For single door application
- Turn reversible key clockwise by 90° to unlock (cam also rotates by 90°)
- Key is only removable in locked position
- 1 million key changes available. Master key system available on request (max. 2,520 key changes per master key)
- Keys can be shared with other *Million Lock* series

### Notes

- Cam direction is not changeable

### Parts Included

- Countersunk head wood screw 2.7×13 (SUS)



No.	Part Name	Material	Finish/Colour			
			SN	CR	GC	BL
①	Body	Brass	Satin Nickel	Chrome	Gold	Black Chrome
②	Ring	Brass	Satin Nickel	Chrome	Gold	Black Chrome
③	Front Plate	Stainless Steel (SUS304)	Satin	Polished	Gold	Black Chrome
④	Cam	Stainless Steel (SUS304)	Plain			
⑤	Hex Nut	Steel	Special Anti Rust Painting/Silver			
⑥	Washer	Steel	Special Anti Rust Painting/Silver			
⑦	Hex Nut	Steel	Special Anti Rust Painting/Silver			
⑧	Cover	Polypropylene (PP)	Black			
⑨	Ring	Polypropylene (PP)	Black			
⑩	Strike	Stainless Steel (SUS304)	Polished		Black Chrome	
⑪	Key	Brass	Nickel			

※③ includes one convex plate and one concave plate.

Part No.	Finish	Key Type	Glass Thickness
G1310GL-SN-B	Satin Nickel	Keyed Differently	5 - 8
G1310GL-SN-D		Keyed Alike	
G1310GL-CR-B	Chrome	Keyed Differently	
G1310GL-CR-D		Keyed Alike	
G1310GL-GC-B	Gold	Keyed Differently	
G1310GL-GC-D		Keyed Alike	
G1310GL-BL-B	Black Chrome	Keyed Differently	
G1310GL-BL-D		Keyed Alike	